

GeoPump

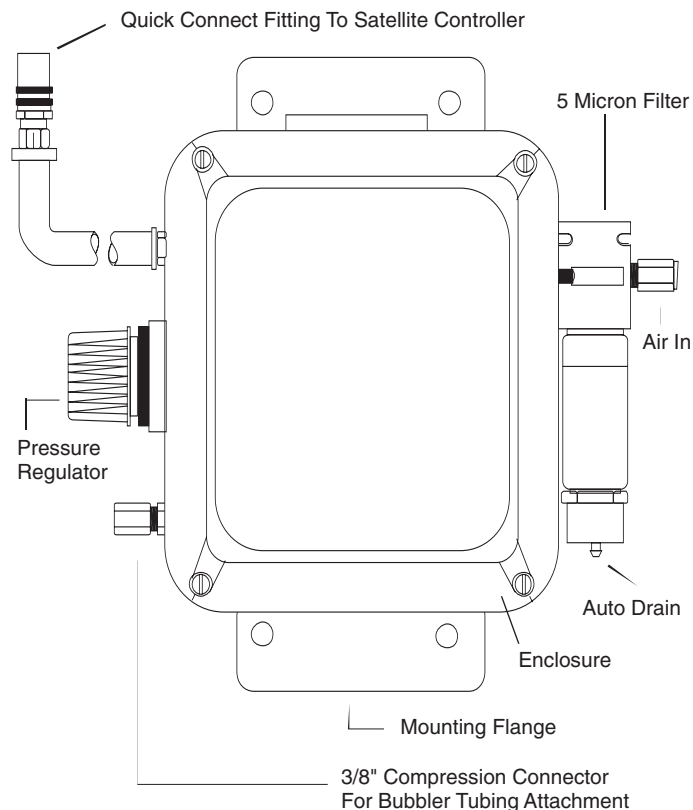
Ground Water Pumping Solutions

REMOTE LEVEL SHUT-OFF DEVICE

The GEOPUMP Remote Level Shut-Off Device is a pneumatically operated, liquid level sensor. The device turns the air supply on and off automatically, responding to changes in water level in the well.

Level is measured via a bubbler tube placed just below the desired liquid level in the well. A low pressure air supply is metered through the bubbler tube, and the back pressure, corresponding to the depth of liquid above the tube, is sensed by the "level control valve", which opens or closes as the level changes. With 9" (or more) of water above the bubbler tube, the valve opens. When the level drops to 3" (or less) above the tube, the valve closes.

The shut-off device has been designed to quick connect onto the inlet air fitting of the Model 50015 Satellite Controller. When the level control valve is closed, no supply air is allowed into the Satellite Controller, which prevents the downwell pump from operating. As the liquid level in the well rises, the level control valve opens, allowing the supply air into the controller to drive the pump.



The Model 50005 Remote Level Shut-Off Device includes the following:

- 5 micron filter assembly with auto drain.
- Integral pressure regulator and gauge.
- Non-metallic, NEMA rated enclosure.
- 3/8" compression tubing connector for bubbler tubing attachment.
- 1/2" push-in tubing connector for air supply attachment.
- Quick connect fitting for attachment to Satellite Controller.

• **GeoPump, Inc.** • 213 State Street • Medina, NY 14103 • www.geopump.com •
• Toll Free 877-Geo-Pump • 585-798-6666 Outside USA • 585-798-0175 Fax •